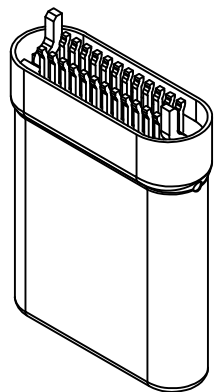
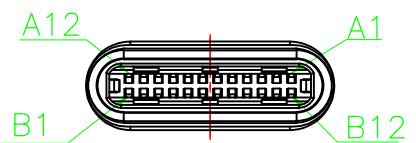
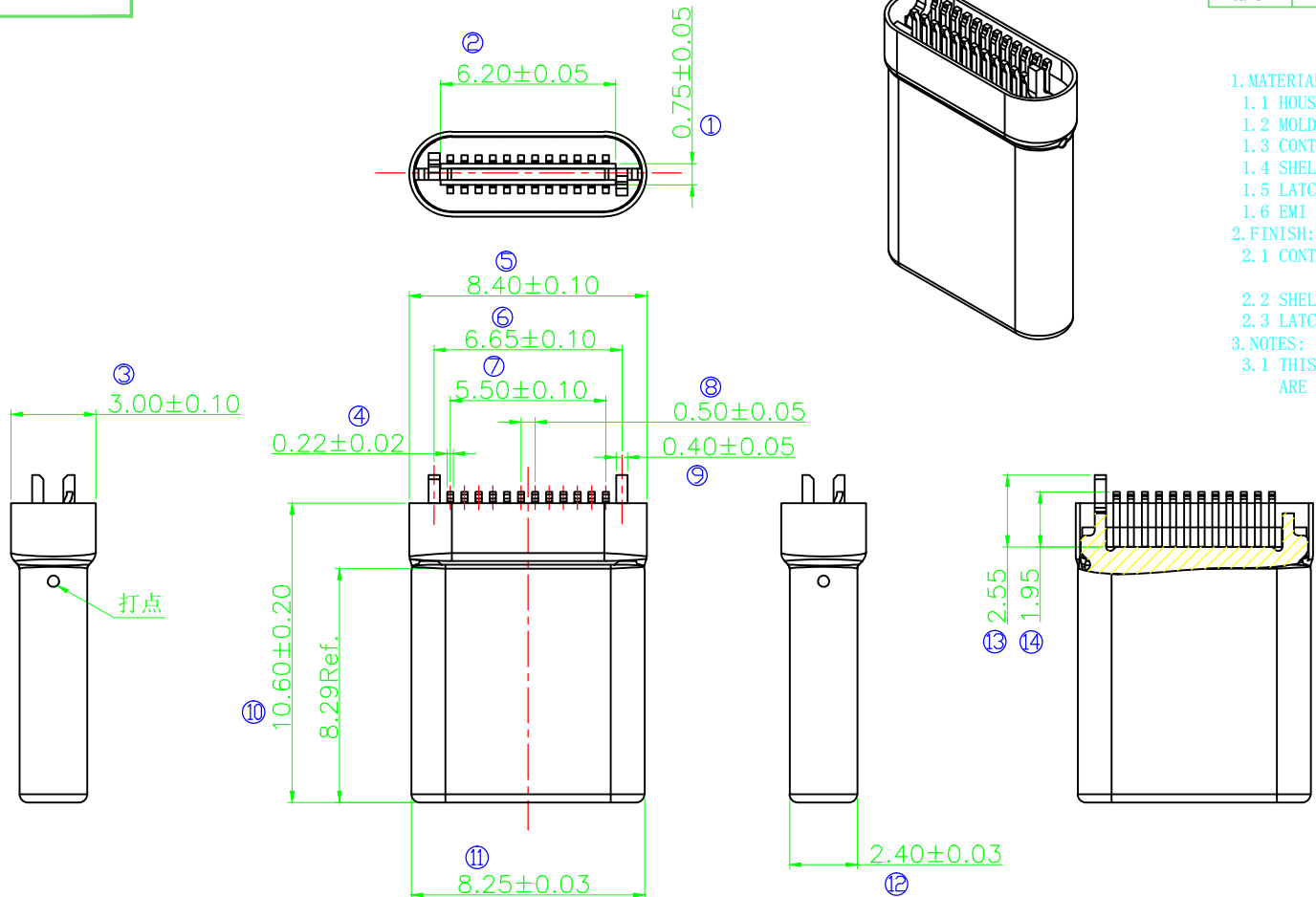


RoHS

REV	REVISION RECORD	NAME	DATE
A/0	NEW DRAW	No. wan	20190626



1. MATERIAL:
- 1.1 HOUSING:LCP, BLACK
 - 1.2 MOLDING:LCP, BLACK.
 - 1.3 CONTACT:C7025, T=0.20mm
 - 1.4 SHELL:SUS. T=0.15mm
 - 1.5 LATCH:SUS. T=0.40mm
 - 1.6 EMI SPRING:SUS. T=0.08mm
2. FINISH:
- 2.1 CONTACT:GOLD FLASH PLATED IN CONTACT AREA ;
TIN PLATED IN SOLDER AREA AND NICKEL UNDERPLATED OVERALL.
 - 2.2 SHELL:NICKEL PLATED OVERALL.
 - 2.3 LATCH:NICKEL PLATED OVERALL.
3. NOTES:
- 3.1 THIS COMPONENT AND ITS HOMOGENEOUS SUBCOMPONENTS ARE RoHS2.0 COMPLIANT.



Pin	A12	A11	A10	A9	A8	A7	A6	A5	A4	A3	A2	A1
Signal Name	GND	RX2+	RX2-	V _{BUS}	SBU1	D-	D+	CC	V _{BUS}	TX1-	TX1+	GND
Pin	B1	B2	B3	B4	B5	B6	B7	B8	B9	B10	B11	B12
Signal Name	GND	TX2+	TX2-	V _{BUS}	V _{CONN}	D+	D-	SBU2	V _{BUS}	RX1-	RX1+	GND

TOLERANCES:

.X	8
.XX	9
.XXX	11

GENERAL ANGLE:

.X°	12
.X°	13

TITLE: 1

2

DRAWN: NO. WAN

CHECKED: ZHUANGYONG

APPROVAL: ZHOUZHENGJUN

UNITS: mm

SCALE: N/A

REV: 6

东莞市欧盈电子科技有限公司

PART NO: TYPEG24-012D	CUSTOMER PART NO: 5
DRAWING NO: 4	SHEET NO: 7